



TOTALINE®

The new "Totaline Monobloc" is a complete easy-to-install, plug-in type refrigeration system.

Both medium and low temperature units are available

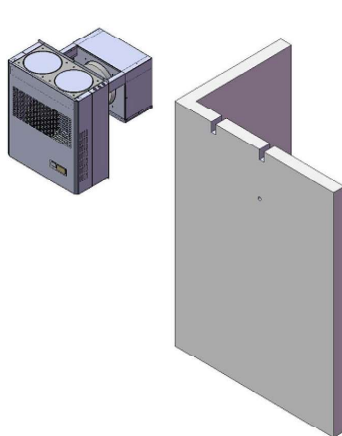
Designed to be widely used in small cold and freezer room applications.

Monobloc units feature branded products like: Tecumseh, Copeland, Danfoss and Dixell

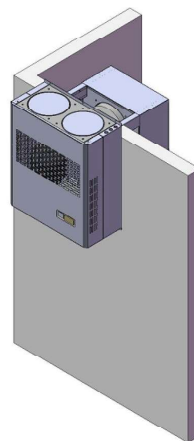


Features

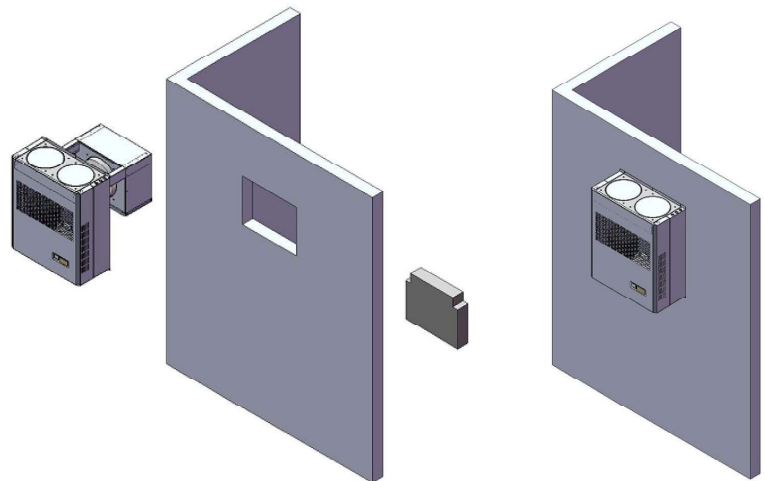
- Models available :
 - Medium temperature: 1.5HP, 2HP and 3Hp
 - Low temperature: 1.5HP and 2HP
- Single phase 220V-240V-1-50Hz
- Pre-charged with R404a refrigerant
- Dixell temperature and efficient defrost control
- Plug-in type for easy electrical installation
- Optimized designed to save installation and commissioning time
- "Straddle-wall" or "Through-wall" installation
- CE Certified by TUV, comply with European safety standards



Straddle-wall



Through-wall



METRACLARK

Refrigeration & Air-Conditioning Wholesale



Specifications

Stock Code	Description	Compressor Model	Application	Refrigerant	Refrigerant Charge: (g)	Reference: HP	Nominal Capacity: (W)	Voltage / Frequency	Max operating Current: (A)
TOT5001	LY200DGM/H	ZB15KQE-PFJ	MBP	R507/R404a	1650	2	3800 @ 2°C Room Temp, 30°C Ambient	230-240V/1/50HZ	18

Start Current: (A)	Condenser Air Volume:	Condenser Fan Power: (W)	Condenser Fan Diameter: (mm)	Noise Level @1m: (db (A))	Dimensions: A, B, C, D, L (mm)	Dimensions for hole X, Y (mm)	Net Weight: (kg)	Room Temperature Design: °C	Room Cool Volume: (M³)
55	1800	290	2*300	52	755, 355, 800, 646, 850	675, 405	90	2	26

Capacity/Input Power	Ambient Temp.	Cold Room Temp.				
		-10	-5	0	5	10
W	°C					
Capacity	20	3038	3657	4315	5040	5750
Input Power		1520	1500	1470	1450	1420
Capacity	30	2616	3180	3774	4361	4976
Input Power		1920	1880	1840	1800	1760
Capacity	40	2098	2607	3127	3672	4220
Input Power		2510	2430	2350	2280	2220

