



TOTALINE®

The new "Totaline Monobloc" is a complete easy-to-install, plug-in type refrigeration system.

Both medium and low temperature units are available

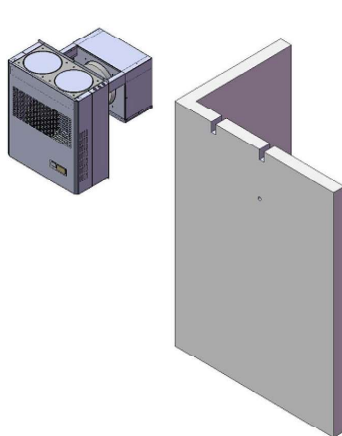
Designed to be widely used in small cold and freezer room applications.

Monobloc units feature branded products like: Tecumseh, Copeland, Danfoss and Dixell

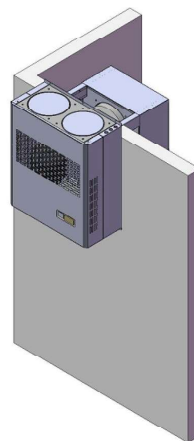


Features

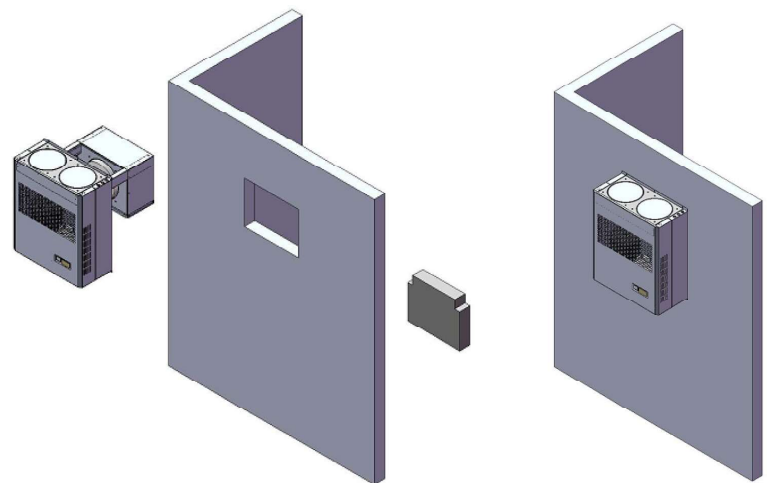
- Models available :
 - Medium temperature: 1.5HP, 2HP and 3Hp
 - Low temperature: 1.5HP and 2HP
- Single phase 220V-240V-1-50Hz
- Pre-charged with R404a refrigerant
- Dixell temperature and efficient defrost control
- Plug-in type for easy electrical installation
- Optimized designed to save installation and commissioning time
- "Straddle-wall" or "Through-wall" installation
- CE Certified by TUV, comply with European safety standards



Straddle-wall



Through-wall



METRACLARK

Refrigeration & Air-Conditioning Wholesale



| Specifications | | | | | | | | | |
|----------------|-------------|------------------|-------------|-------------|-------------------------|---------------|--------------------------------------|---------------------|----------------------------|
| Stock Code | Description | Compressor Model | Application | Refrigerant | Refrigerant Charge: (g) | Reference: HP | Nominal Capacity: (W) | Voltage / Frequency | Max operating Current: (A) |
| TOT6001 | LY200DGL | FH2480Z | LBP | R507/R404a | 1100 | 2 | 2350 @ -18°C Room Temp, 30°C Ambient | 230-240V/1/50HZ | 18 |

| Start Current: (A) | Condenser Air Volume: | Condenser Fan Power: (W) | Condenser Fan Diameter: (mm) | Noise Level @1m: (db (A)) | Dimensions: A, B, C, D, L (mm) | Dimensions for hole X, Y (mm) | Net Weight: (kg) | Room Temperature Design: °C | Room Cool Volume: (M³) |
|--------------------|-----------------------|--------------------------|------------------------------|---------------------------|--------------------------------|-------------------------------|------------------|-----------------------------|------------------------|
| 69 | 1200 | 100 | 2*250 | 52 | 665, 315, 800, 500, 805 | 505, 480 | 78 | -18 | 15-Holding |

| Capacity/Input Power | Ambient Temp. | Cold Room Temp. | | | |
|----------------------|---------------|-----------------|------|------|------|
| | | -25 | -20 | -15 | -10 |
| W | °C | | | | |
| Capacity | 20 | 2186 | 2750 | 3216 | 3780 |
| Input Power | | 1780 | 1975 | 2175 | 2379 |
| Capacity | 30 | 1859 | 2331 | 2802 | 3289 |
| Input Power | | 1820 | 2050 | 2288 | 2535 |
| Capacity | 40 | 1491 | 1909 | 2343 | 2793 |
| Input Power | | 1816 | 2083 | 2359 | 2646 |

