

# HGX44e/665-4 S

Engine: 380-420V Y/YY -3- 50Hz PW

Refrigerant: R404A, R507

**Subject:**

## Performance data

### Application: Refrigeration & AC

Refrigerant	R404A, R507	Compressor refrigeration capacity	29.30 kW
Reference temperature	DewPoint	Evaporator refrigeration capacity	29.30 kW
Power supply	50 Hz, 400 V	Power consumption	12.50 kW
Supply frequency	50 Hz	Current draw (400 V)	22.00 A
Evaporating temperature	-10.0 °C	Coefficient of performance (COP/EER)	2.34
<i>Evaporating pressure (abs.)</i>	<i>4.34 bar</i>	Condensing capacity	41.90 kW
Condensing temperature	45.0 °C	Mass flow	0.244 kg/s
<i>Condensing pressure (abs.)</i>	<i>20.47 bar</i>	Discharge end temperature	90.5 °C <sup>1)</sup>
Suction gas temperature	20 °C		
Subcooling (outside cond.)	0 K		
Usable superheat	100%		

*Preliminary capacity data.*

- 1) The stated value of the discharge end temperature is a mere calculated value. Additional cooling and heat dissipation are not considered. Deviations (particularly in deep freezing applications) from the real measured discharge temperature during operation are possible.

Subject to change without notice

To: [venolia.stoffels@metraclark.co.za](mailto:venolia.stoffels@metraclark.co.za)

From:

02.08.2022  
Page 1 of 11

VAP 11.12.0

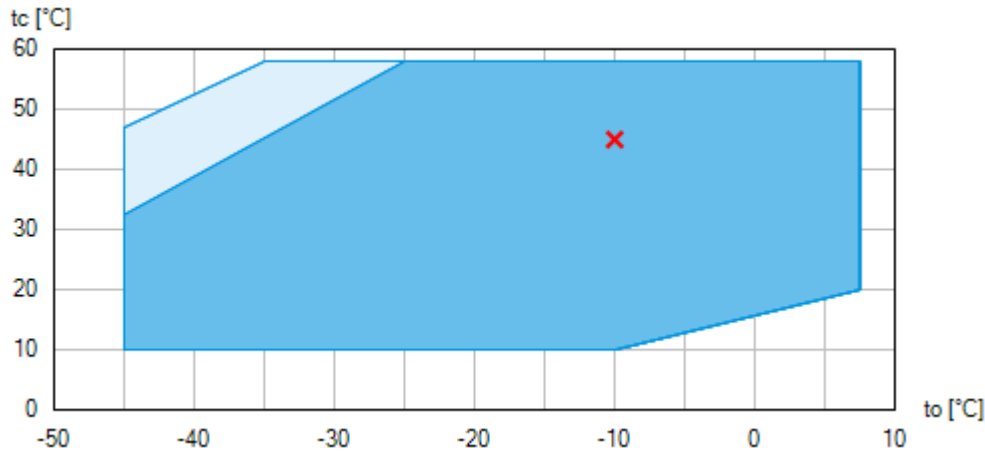
# HGX44e/665-4 S



Engine: 380-420V Y/YY -3- 50Hz PW

Refrigerant: R404A, R507

Subject:

## Operating limits



-  Unlimited application range
-  Supplementary cooling or reduced suction gas temperature ( $\Delta t_{oh} < 20K$ )

Compressor operation is possible within the limits shown on the diagrams of application. Please note the coloured areas. Compressor application limits should not be chosen for design purposes or continuous operation. Axis values refer to dew point (saturated vapour line).

Subject to change without notice

To: venolia.stoffels@metraclark.co.za

From:

02.08.2022  
Page 2 of 11

VAP 11.12.0

# HGX44e/665-4 S

Engine: 380-420V Y/YY -3- 50Hz PW

Refrigerant: R404A, R507

**Subject:**

## Technical data

Number of cylinders / Bore / Stroke	4 / 65 mm / 50 mm
Displacement 50/60 Hz (1450/1740 1/min)	57,70 / 69,20 m <sup>3</sup> /h
Voltage <sup>1)</sup>	380-420V Y/YY -3- 50Hz PW
	440-480V Y/YY -3- 60Hz PW
Winding divided into	50% / 50%
Max. working current <sup>2)</sup>	30.0 A
Max. power consumption <sup>2)</sup>	18.3 kW
Starting current (rotor blocked) <sup>2)</sup>	101.0 / 174.0 A
Motor protection	INT69 G
Protection terminal box	IP 66
Weight	171 kg
Frequency range <sup>3)</sup>	25 - 70 Hz
Max. permissible overpressure (g) (LP/HP) <sup>4)</sup>	19 / 28 bar
Connection suction line SV	42 mm - 1 5/8 "
Connection discharge line DV	28 mm - 1 1/8 "
Lubrication	Oil pump
Oil type R134a, R404A, R407A/C/F, R448A, R449A, R450A, R513A	BOCKlub E55
Oil type R22	BOCKlub A46
Oil charge	2,7 Ltr.
Oil sump heater	230 V - 1 - 50/60 Hz, 160 W
Dimensions Length / Width / Height	695 / 361 / 383 mm
Sound power level L <sub>WA</sub> <sup>5)</sup>	78 db(A) @ -35/+40 °C
	77 db(A) @ -10/+45 °C
	76 db(A) @ +5/+50 °C
Sound pressure level L <sub>pA</sub> <sup>5)</sup>	65 db(A) @ -35/+40 °C
	64 db(A) @ -10/+45 °C
	63 db(A) @ +5/+50 °C

Subject to change without notice

To: venolia.stoffels@metraclark.co.za

From:

02.08.2022  
Page 3 of 11

VAP 11.12.0

# HGX44e/665-4 S

Engine: 380-420V Y/YY -3- 50Hz PW

Refrigerant: R404A, R507

## Subject:

---

- 1) Tolerance ( $\pm 10\%$ ) relates to the mean value of the voltage range. Other voltages and current types on request  
  
All data are based on voltage rms values  
  
PW = part winding, motors for part winding starting  
(no start unloaders required)  
Designs for Y/D on request
- 2) - The stated value for the max. power consumption is valid for the adjusted power supply.  
  
- Starting current (rotor blocked):
  - Part winding (PW) motors: Winding 1 / Winding 1+2
  - Delta/Star ( $\Delta/Y$ ) motors:  $\Delta / Y$- Take account of the max. operating current / max. power consumption for designing motor contractors, feed lines, fuses and motor protection switches. Motor contractors: Consumption category AC3.
- 3) The maximum permissible working current of the compressor ( $I_{max}$ ) must not be exceeded. Take account of the guidelines for use of frequency inverter (see compressor assembly instruction or selection software).
- 4) LP = Low pressure  
HP = High pressure
- 5) Declared dual-number noise emission values are in accordance with ISO 4871. The corresponding uncertainty to the sound power level is  $K_{WA} = 2,5$  dB and to the sound pressure level is  $K_{pA} = 2,5$  dB. The values are valid for 50 Hz with the refrigerant R404A at the standard rating points according to EN 12900.
  - A-weighted sound power level  $L_{WA}$  (re 1 pW), in decibel. To determine the values, measurement methods of the ISO 3740 standard with accuracy class 2 or higher were used .
  - A-weighted sound pressure level  $L_{pA}$  (re 20  $\mu$ Pa), in decibel. The values are calculated from the sound power level in accordance with ISO 11203:  $L_{pA} = L_{WA} - Q_2$  at a distance of  $d = 1$ m to the reference box.

---

Subject to change without notice

To: venolia.stoffels@metraclark.co.za

From:

02.08.2022  
Page 4 of 11

VAP 11.12.0

# HGX44e/665-4 S

Engine: 380-420V Y/YY -3- 50Hz PW

Refrigerant: R404A, R507

Subject:

## Performance data table

Application: Refrigeration & AC

Reference temperature: DewPoint

Supply frequency: 50 Hz

Voltage: 400 V

Suction gas temperature: 20 °C

Subcooling (outside cond.): 0 K

tc [°C]		to [°C]									
		0.0	-5.0	-10.0	-15.0	-20.0	-25.0	-30.0	-35.0	-40.0	-45.0
30.0	Q [W]	56300	46800	38500	31300	25100	19800	15400	11600	8330	5610
	P [kW]	11.00	10.80	10.50	9.93	9.19	8.32	7.37	6.37	5.36	4.37
	I [A]	20.10	19.90	19.40	18.70	17.80	16.90	15.90	14.80	13.90	13.00
35.0	Q [W]	52100	43200	35500	28800	23000	18100	13900	10400	7340	4740
	P [kW]	12.20	11.80	11.20	10.50	9.60	8.60	7.53	6.45	5.38	4.36
	I [A]	21.70	21.20	20.40	19.40	18.30	17.20	16.00	14.90	13.90	13.00
40.0	Q [W]	47900	39600	32400	26200	20900	16400	12500	9170	6350	3890
	P [kW]	13.30	12.70	11.90	11.00	9.95	8.83	7.67	6.51	5.40	4.37
	I [A]	23.20	22.30	21.30	20.00	18.70	17.40	16.20	15.00	13.90	13.00
45.0	Q [W]	43700	36000	29300	23600	18800	14600	11100	8000	5380	3070
	P [kW]	14.30	13.50	12.50	11.40	10.20	9.02	7.79	6.58	5.45	4.42
	I [A]	24.60	23.40	22.00	20.60	19.10	17.70	16.30	15.10	14.00	13.10
50.0	Q [W]	39300	32300	26200	21000	16600	12800	9590	6840	4430	
	P [kW]	15.30	14.20	13.10	11.80	10.50	9.22	7.92	6.68	5.53	
	I [A]	25.90	24.40	22.80	21.10	19.50	17.90	16.40	15.10	14.10	

*Preliminary capacity data.*



Supplementary cooling or reduced suction gas temperature ( $\Delta t_{oh} < 20K$ )

to Evaporating temperature  
tc Condensing temperature  
Q Compressor refrigeration capacity  
P Power consumption  
I Current draw

Subject to change without notice

To: venolia.stoffels@metraclark.co.za

From:

02.08.2022  
Page 5 of 11

VAP 11.12.0

## HGX44e/665-4 S

Engine: 380-420V Y/YY -3- 50Hz PW

Refrigerant: R404A, R507

**Subject:**

---

### Scope of supply

Semi-hermetic four-cylinder reciprocating compressor with drive motor  
Single-section compressor housing with hermetically integrated electric motor

Rear bearing flange prepared for oil differential pressure sensor DELTA-P II

Winding protection with PTC resistor sensors and electronic trigger unit INT69 G  
115-230 V AC, 50/60 Hz, IP00

Oil pump

Possibility of connection of oil level controllers ESK, AC+R or CARLY

Possibility of connection of oil level controllers Traxoil <sup>1)</sup>

Possibility for connection of oil pressure safety switch MP54

Oil charge:

HG: **BOCK**lub A46

HGX: **BOCK**lub E55

Sight glass

Pressure relief valve

Suction and discharge line valve

Inert gas charge

### Accessories

(Digital) capacity regulator DCR14 230 V - 1 - 50/60 Hz, IP65  
possible equipment see Capacity regulator 09900-DGbF

Cylinder cover prepared for digital capacity regulator

Oil sump heater 230 V - 1 - 50/60 Hz, 160 W

Intermediate flange for discharge line valve on right or left seen from oil pump

USB converter for INT69 G Diagnose <sup>2)</sup>

Oil temperature sensor (Pt1000, for external evaluation) <sup>2)</sup>

Oil pressure safety switch MP54 230 V - 1 - 50/60 Hz, IP20 <sup>2)</sup>

Oil differential pressure sensor DELTA-P II 220-240 V - 1 - 50/60 Hz <sup>3)</sup>

Connection piece suction and discharge valve in welding design

Thermal protection thermostat per cylinder cover

INT69 G Diagnose 115-230 V AC, 50/60 Hz, IP00 (INT69 G not applicable)

Subject to change without notice

---

To: venolia.stoffels@metraclark.co.za

From:

02.08.2022  
Page 6 of 11

VAP 11.12.0

## HGX44e/665-4 S

Engine: 380-420V Y/YY -3- 50Hz PW

Refrigerant: R404A, R507

### Subject:

---

DP-Modbus Gateway 115-230 V AC, 50/60 Hz, IP00 including adapter cable <sup>2)</sup>

Modbus-LAN Gateway 230 V AC, 50/60 Hz, IP00 <sup>2)</sup>

#### Additional fan

230 V AC - 1 - 50 Hz, 97 W, IP44

230 V AC - 1 - 60 Hz, 128 W <sup>2)</sup>

Step protection

Injection nozzle for liquid injection <sup>2)</sup>

4 anti-vibration pads enclosed

Special voltage and/or frequency (on request)

- 
- 1) Only with additional adapter possible
  - 2) Enclosure
  - 3) Enclosure (screw-in part mounted)

Subject to change without notice

---

To: [venolia.stoffels@metraclark.co.za](mailto:venolia.stoffels@metraclark.co.za)

From:

02.08.2022  
Page 7 of 11

VAP 11.12.0

## HGX44e/665-4 S

Engine: 380-420V Y/YY -3- 50Hz PW

Refrigerant: R404A, R507

**Subject:**

---

### Dimensions and connections

---

Subject to change without notice

To: [venolia.stoffels@metraclark.co.za](mailto:venolia.stoffels@metraclark.co.za)

From:

02.08.2022  
Page 8 of 11

VAP 11.12.0

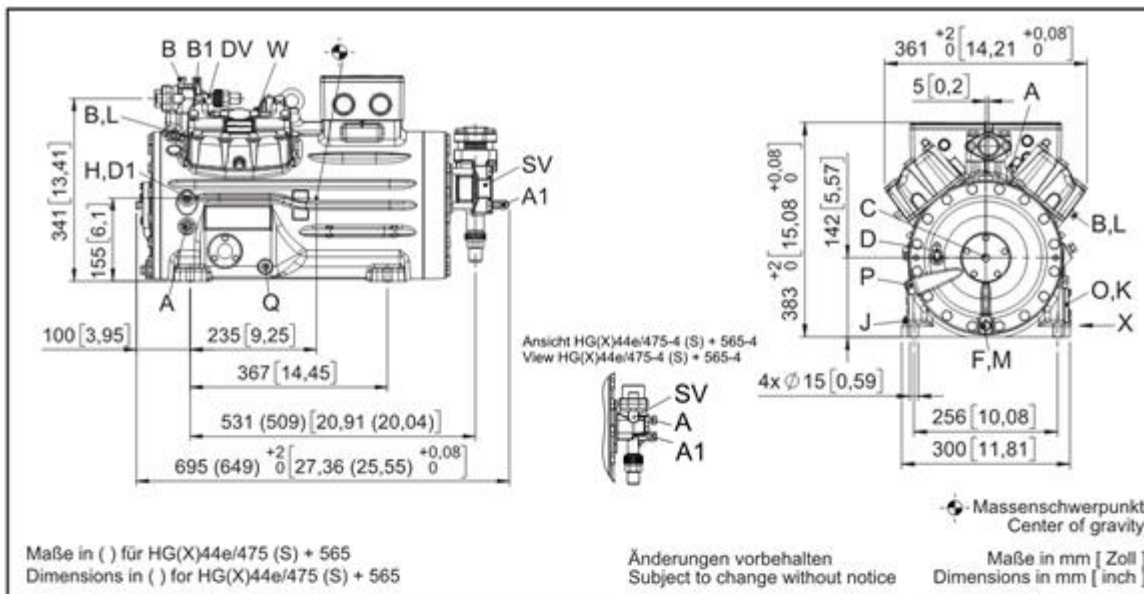


# HGX44e/665-4 S

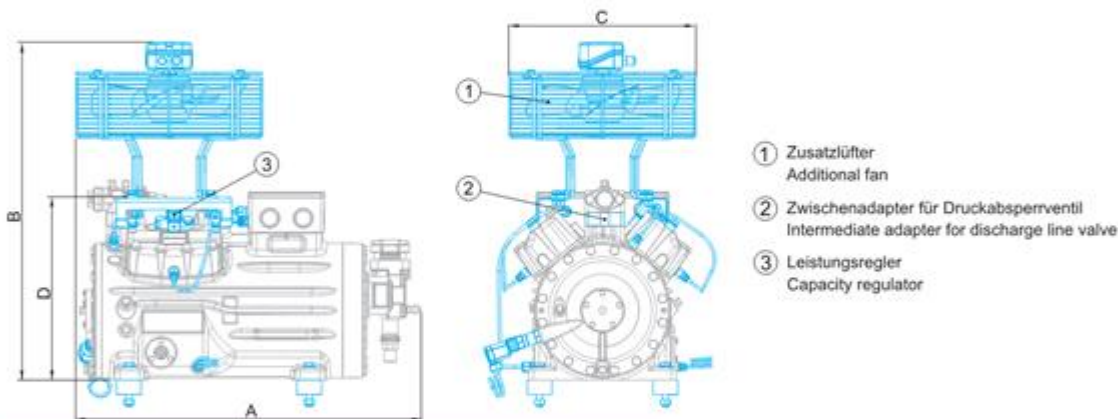
Engine: 380-420V Y/YY -3- 50Hz PW

Refrigerant: R404A, R507

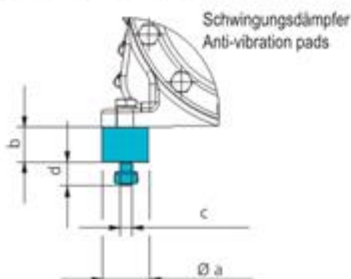
Subject:



## Maße Zubehör / Dimensions Accessories



Typ / Type	A mm / inch	B mm / inch	C mm / inch	D mm / inch
HG12P	ca. 460 / 18	ca. 500 / 20	ca. 315 / 12	–
HG22e	ca. 525 / 21	ca. 610 / 24	ca. 380 / 15	–
HG34e	ca. 580 / 23	ca. 640 / 25	ca. 380 / 15	–
HG44e	ca. 710 / 28	ca. 685 / 27	ca. 380 / 15	368 / 14
HG56e	–	ca. 710 / 28	ca. 380 / 15	–
HG66e	ca. 820 / 32	ca. 800 / 31	ca. 380 / 15	–



Typ / Type	Øa mm / inch	b mm / inch	c mm / inch	d mm / inch
HG12P	30 / 1.2	30 / 1.2	M8	20 / 0.8
HG22e	40 / 1.6	30 / 1.2	M10	20 / 0.8
HG34e	40 / 1.6	30 / 1.2	M10	20 / 0.8
HG44e	50 / 2.0	30 / 1.2	M12	25 / 1.0
HG56e	50 / 2.0	30 / 1.2	M12	25 / 1.0
HG66e	50 / 2.0	30 / 1.2	M12	25 / 1.0
HG88e	70 / 2.8	45 / 1.8	M12	37 / 1.5

Subject to change without notice

To: venolia.stoffels@metraclark.co.za

From:

02.08.2022  
Page 9 of 11

VAP 11.12.0

## HGX44e/665-4 S

Engine: 380-420V Y/YY -3- 50Hz PW

Refrigerant: R404A, R507

### Subject:

SV	Suction line valve, tube ø <sup>1)</sup>	42 mm - 1 5/8 "
DV	Discharge line valve, tube ø <sup>1)</sup>	28 mm - 1 1/8 "
A	Connection suction side, not lockable	1/8 " NPTF
A1	Connection suction side, lockable	7/16 " UNF
B	Connection discharge side, not lockable	1/8 " NPTF
B1	Connection discharge side, lockable	7/16 " UNF
C	Connection oil pressure safety switch OIL	1/8 " NPTF
D	Connection oil pressure safety switch LP	7/16 " UNF
D1	Connection oil return from oil separator	1/4 " NPTF
F	Oil drain	M 12 x 1.5
H	Oil charge plug	1/4 " NPTF
J	Connection oil sump heater	3/8 " NPTF
K	Sight glass	3 x M 6
L	Connection thermal protection thermostat	1/8 " NPTF
M	Oil strainer	M 12 x 1.5
O	Connection oil level regulator	3 x M 6
P	Connection oil differential pressure sensor	M 20 x 1.5
Q	Connection oil temperature sensor	1/8" NPTF
W	Connection for refrigerant injection	1/8" NPTF

1) Brazing connection

Subject to change without notice

To: [venolia.stoffels@metraclark.co.za](mailto:venolia.stoffels@metraclark.co.za)

From:

02.08.2022  
Page 10 of 11

VAP 11.12.0

## HGX44e/665-4 S

Engine: 380-420V Y/YY -3- 50Hz PW

Refrigerant: R404A, R507

**Subject:**

---

**BOCK** colour the world  
of tomorrow

### Product photo



---

Subject to change without notice

To: [venolia.stoffels@metraclark.co.za](mailto:venolia.stoffels@metraclark.co.za)

From:

02.08.2022  
Page 11 of 11

VAP 11.12.0