



# TOTALINE®

The new "Totaline Monobloc" is a complete easy-to-install, plug-in type refrigeration system.

Both medium and low temperature units are available

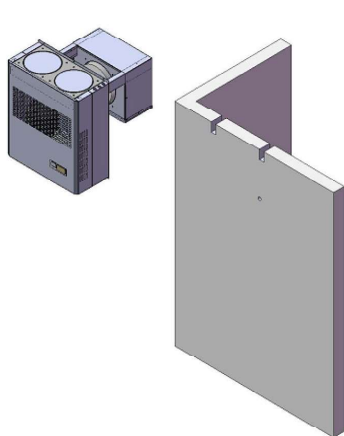
Designed to be widely used in small cold and freezer room applications.

Monobloc units feature branded products like: Tecumseh, Copeland, Danfoss and Dixell

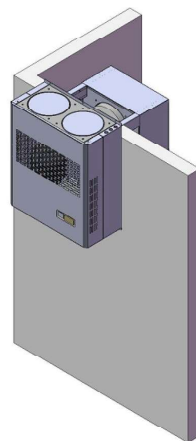


## Features

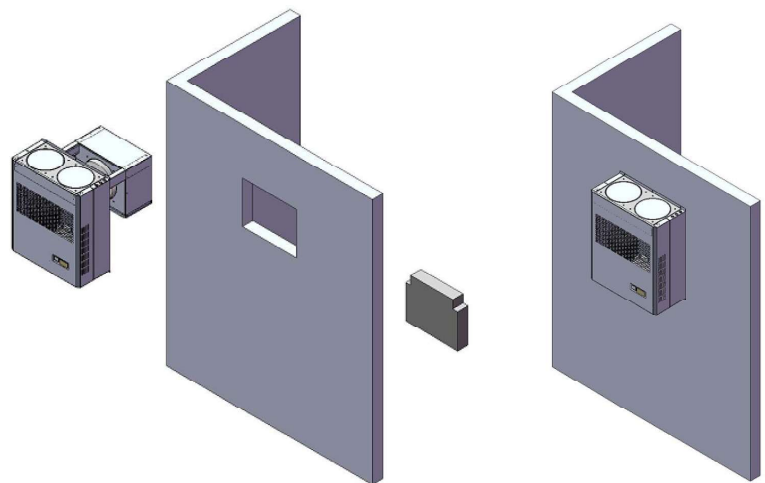
- Models available :
  - Medium temperature: 1.5HP, 2HP and 3Hp
  - Low temperature: 1.5HP and 2HP
- Single phase 220V-240V-1-50Hz
- Pre-charged with R404a refrigerant
- Dixell temperature and efficient defrost control
- Plug-in type for easy electrical installation
- Optimized designed to save installation and commissioning time
- "Straddle-wall" or "Through-wall" installation
- CE Certified by TUV, comply with European safety standards



**Straddle-wall**



**Through-wall**



# METRACLARK

Refrigeration & Air-Conditioning Wholesale



Specifications									
Stock Code	Description	Compressor Model	Application	Refrigerant	Refrigerant Charge: (g)	Reference: HP	Nominal Capacity: (W)	Voltage / Frequency	Max operating Current: (A)
TOT5000	LY150DGM/H	CAJ9513Z	MBP	R507/R404a	1100	1.5	2300 @ 2°C Room Temp, 30°C Ambient	230-240V/1/50HZ	11.5

Start Current: (A)	Condenser Air Volume:	Condenser Fan Power: (W)	Condenser Fan Diameter: (mm)	Noise Level @1m: (db (A))	Dimensions: A, B, C, D, L (mm)	Dimensions for hole X, Y (mm)	Net Weight: (kg)	Room Temperature Design: 'C	Room Cool Volume: (M³)
34	1200	150	2*250	50	665, 315, 800, 500, 805	505, 480	75	2	15

Capacity/Input Power	Ambient Temp.	Cold Room Temp.				
		-10	-5	0	5	10
W	°C					
Capacity	20	1791	2252	2730	3267	3822
Input Power		1175	1272	1354	1430	1500
Capacity	30	1436	1856	2286	2741	3195
Input Power		1193	1329	1449	1558	1660
Capacity	40	1067	1441	1821	2215	2605
Input Power		1166	1344	1504	1650	1788

