

HGX44e/770-4 S

Engine: 380-420V Y/YY -3- 50Hz PW

Refrigerant: R404A, R507

Subject:

Performance data

Application: Refrigeration & AC

Refrigerant	R404A, R507	Compressor refrigeration capacity	34.30 kW
Reference temperature	Dew point	Evaporator refrigeration capacity	34.30 kW
Power supply	50 Hz, 400 V	Power consumption	14.50 kW
Supply frequency	50 Hz	Current draw (400 V)	24.80 A
Evaporating temperature	-10.0 °C	Coefficient of performance (COP/EER)	2.35
<i>Evaporating pressure (abs.)</i>	<i>4.34 bar</i>	Condensing capacity	48.80 kW
Condensing temperature	45.0 °C	Mass flow	0.285 kg/s
<i>Condensing pressure (abs.)</i>	<i>20.47 bar</i>	Discharge end temperature	90.2 °C ¹⁾
Suction gas temperature	20 °C		
Subcooling (outside cond.)	0 K		
Usable superheat	100%		

Preliminary capacity data.

- 1) The stated value of the discharge end temperature is a mere calculated value. Additional cooling and heat dissipation are not considered. Deviations (particularly in deep freezing applications) from the real measured discharge temperature during operation are possible.

Subject to change without notice

To: venolia.stoffels@metraclark.co.za

From:

02.08.2022
Page 1 of 11

VAP 11.12.0

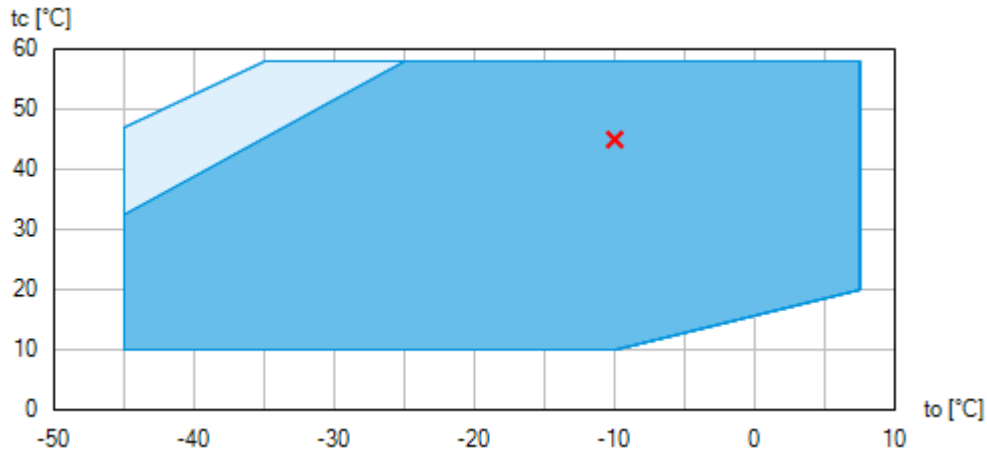
HGX44e/770-4 S



Engine: 380-420V Y/YY -3- 50Hz PW

Refrigerant: R404A, R507

Subject:

Operating limits



-  Unlimited application range
-  Supplementary cooling or reduced suction gas temperature ($\Delta t_{oh} < 20K$)

Compressor operation is possible within the limits shown on the diagrams of application. Please note the coloured areas. Compressor application limits should not be chosen for design purposes or continuous operation. Axis values refer to dew point (saturated vapour line).

Subject to change without notice

To: venolia.stoffels@metraclark.co.za

From:

02.08.2022
Page 2 of 11

VAP 11.12.0

HGX44e/770-4 S

Engine: 380-420V Y/YY -3- 50Hz PW

Refrigerant: R404A, R507

Subject:

Technical data

Number of cylinders / Bore / Stroke	4 / 70 mm / 50 mm
Displacement 50/60 Hz (1450/1740 ¹ /min)	67,00 / 80,40 m ³ /h
Voltage ¹⁾	380-420V Y/YY -3- 50Hz PW
	440-480V Y/YY -3- 60Hz PW
Winding divided into	50% / 50%
Max. working current ²⁾	35.0 A
Max. power consumption ²⁾	21.4 kW
Starting current (rotor blocked) ²⁾	101.0 / 174.0 A
Motor protection	INT69 G
Protection terminal box	IP 66
Weight	171 kg
Frequency range ³⁾	25 - 70 Hz
Max. permissible overpressure (g) (LP/HP) ⁴⁾	19 / 28 bar
Connection suction line SV	42 mm - 1 5/8 "
Connection discharge line DV	28 mm - 1 1/8 "
Lubrication	Oil pump
Oil type R134a, R404A, R407A/C/F, R448A, R449A, R450A, R513A	BOCKlub E55
Oil type R22	BOCKlub A46
Oil charge	2,7 Ltr.
Oil sump heater	230 V - 1 - 50/60 Hz, 160 W
Dimensions Length / Width / Height	695 / 361 / 383 mm
Sound power level L _{WA} ⁵⁾	80 db(A) @ -35/+40 °C
	78 db(A) @ -10/+45 °C
	76 db(A) @ +5/+50 °C
Sound pressure level L _{pA} ⁵⁾	67 db(A) @ -35/+40 °C
	65 db(A) @ -10/+45 °C
	63 db(A) @ +5/+50 °C

Subject to change without notice

To: venolia.stoffels@metraclark.co.za

From:

02.08.2022
Page 3 of 11

VAP 11.12.0

HGX44e/770-4 S

Engine: 380-420V Y/YY -3- 50Hz PW

Refrigerant: R404A, R507

Subject:

- 1) Tolerance ($\pm 10\%$) relates to the mean value of the voltage range. Other voltages and current types on request

All data are based on voltage rms values

PW = part winding, motors for part winding starting
(no start unloaders required)
Designs for Y/D on request
- 2) - The stated value for the max. power consumption is valid for the adjusted power supply.

- Starting current (rotor blocked):
 - Part winding (PW) motors: Winding 1 / Winding 1+2
 - Delta/Star (Δ/Y) motors: Δ / Y- Take account of the max. operating current / max. power consumption for designing motor contractors, feed lines, fuses and motor protection switches. Motor contractors: Consumption category AC3.
- 3) The maximum permissible working current of the compressor (I_{max}) must not be exceeded. Take account of the guidelines for use of frequency inverter (see compressor assembly instruction or selection software).
- 4) LP = Low pressure
HP = High pressure
- 5) Declared dual-number noise emission values are in accordance with ISO 4871. The corresponding uncertainty to the sound power level is $K_{WA} = 2,5$ dB and to the sound pressure level is $K_{pA} = 2,5$ dB. The values are valid for 50 Hz with the refrigerant R404A at the standard rating points according to EN 12900.
 - A-weighted sound power level L_{WA} (re 1 pW), in decibel. To determine the values, measurement methods of the ISO 3740 standard with accuracy class 2 or higher were used .
 - A-weighted sound pressure level L_{pA} (re 20 μ Pa), in decibel. The values are calculated from the sound power level in accordance with ISO 11203: $L_{pA} = L_{WA} - Q_2$ at a distance of $d = 1$ m to the reference box.

Subject to change without notice

To: venolia.stoffels@metraclark.co.za

From:

02.08.2022
Page 4 of 11

VAP 11.12.0

HGX44e/770-4 S

Engine: 380-420V Y/YY -3- 50Hz PW

Refrigerant: R404A, R507

Subject:

Performance data table

Application: Refrigeration & AC

Reference temperature: Dew point

Supply frequency: 50 Hz

Voltage: 400 V

Suction gas temperature: 20 °C

Subcooling (outside cond.): 0 K

tc [°C]		to [°C]									
		0.0	-5.0	-10.0	-15.0	-20.0	-25.0	-30.0	-35.0	-40.0	-45.0
30.0	Q [W]	65300	54300	44700	36500	29400	23300	18100	13800	10100	6840
	P [kW]	12.80	12.60	12.10	11.50	10.60	9.62	8.51	7.34	6.16	5.02
	I [A]	22.40	22.10	21.50	20.70	19.60	18.40	17.10	15.80	14.60	13.60
35.0	Q [W]	60500	50200	41300	33600	27000	21300	16500	12400	8880	5840
	P [kW]	14.20	13.80	13.00	12.10	11.10	9.94	8.70	7.43	6.19	5.01
	I [A]	24.40	23.70	22.80	21.50	20.20	18.70	17.30	15.90	14.70	13.60
40.0	Q [W]	55600	46100	37800	30700	24500	19300	14900	11100	7750	4860
	P [kW]	15.50	14.80	13.80	12.70	11.50	10.20	8.86	7.51	6.22	5.02
	I [A]	26.30	25.20	23.80	22.30	20.70	19.10	17.50	16.00	14.70	13.60
45.0	Q [W]	50700	41900	34300	27700	22100	17300	13200	9700	6640	3900
	P [kW]	16.70	15.70	14.50	13.20	11.80	10.40	9.00	7.59	6.27	5.07
	I [A]	28.00	26.50	24.80	23.00	21.20	19.30	17.60	16.10	14.70	13.60
50.0	Q [W]	45700	37600	30700	24700	19600	15300	11600	8360	5530	
	P [kW]	17.80	16.50	15.20	13.70	12.20	10.60	9.15	7.70	6.37	
	I [A]	29.60	27.80	25.70	23.70	21.60	19.60	17.80	16.20	14.80	

Preliminary capacity data.



Supplementary cooling or reduced suction gas temperature ($\Delta t_{oh} < 20K$)

to Evaporating temperature
tc Condensing temperature
Q Compressor refrigeration capacity
P Power consumption
I Current draw

Subject to change without notice

To: venolia.stoffels@metraclark.co.za

From:

02.08.2022
Page 5 of 11

VAP 11.12.0

HGX44e/770-4 S

Engine: 380-420V Y/YY -3- 50Hz PW

Refrigerant: R404A, R507

Subject:

Scope of supply

Semi-hermetic four-cylinder reciprocating compressor with drive motor
Single-section compressor housing with hermetically integrated electric motor

Rear bearing flange prepared for oil differential pressure sensor DELTA-P II

Winding protection with PTC resistor sensors and electronic trigger unit INT69 G
115-230 V AC, 50/60 Hz, IP00

Oil pump

Possibility of connection of oil level controllers ESK, AC+R or CARLY

Possibility of connection of oil level controllers Traxoil ¹⁾

Possibility for connection of oil pressure safety switch MP54

Oil charge:

HG: **BOCK**lub A46

HGX: **BOCK**lub E55

Sight glass

Pressure relief valve

Suction and discharge line valve

Inert gas charge

Accessories

(Digital) capacity regulator DCR14 230 V - 1 - 50/60 Hz, IP65
possible equipment see Capacity regulator 09900-DGbF

Cylinder cover prepared for digital capacity regulator

Oil sump heater 230 V - 1 - 50/60 Hz, 160 W

Intermediate flange for discharge line valve on right or left seen from oil pump

USB converter for INT69 G Diagnose ²⁾

Oil temperature sensor (Pt1000, for external evaluation) ²⁾

Oil pressure safety switch MP54 230 V - 1 - 50/60 Hz, IP20 ²⁾

Oil differential pressure sensor DELTA-P II 220-240 V - 1 - 50/60 Hz ³⁾

Connection piece suction and discharge valve in welding design

Thermal protection thermostat per cylinder cover

INT69 G Diagnose 115-230 V AC, 50/60 Hz, IP00 (INT69 G not applicable)

Subject to change without notice

To: venolia.stoffels@metraclark.co.za

From:

02.08.2022
Page 6 of 11

VAP 11.12.0

HGX44e/770-4 S

Engine: 380-420V Y/YY -3- 50Hz PW

Refrigerant: R404A, R507

Subject:

DP-Modbus Gateway 115-230 V AC, 50/60 Hz, IP00 including adapter cable ²⁾

Modbus-LAN Gateway 230 V AC, 50/60 Hz, IP00 ²⁾

Additional fan

230 V AC - 1 - 50 Hz, 97 W, IP44

230 V AC - 1 - 60 Hz, 128 W ²⁾

Step protection

Injection nozzle for liquid injection ²⁾

4 anti-vibration pads enclosed

Special voltage and/or frequency (on request)

-
- 1) Only with additional adapter possible
 - 2) Enclosure
 - 3) Enclosure (screw-in part mounted)

Subject to change without notice

To: venolia.stoffels@metraclark.co.za

From:

02.08.2022
Page 7 of 11

VAP 11.12.0

HGX44e/770-4 S

Engine: 380-420V Y/YY -3- 50Hz PW

Refrigerant: R404A, R507

Subject:

Dimensions and connections

Subject to change without notice

To: venolia.stoffels@metraclark.co.za

From:

02.08.2022
Page 8 of 11

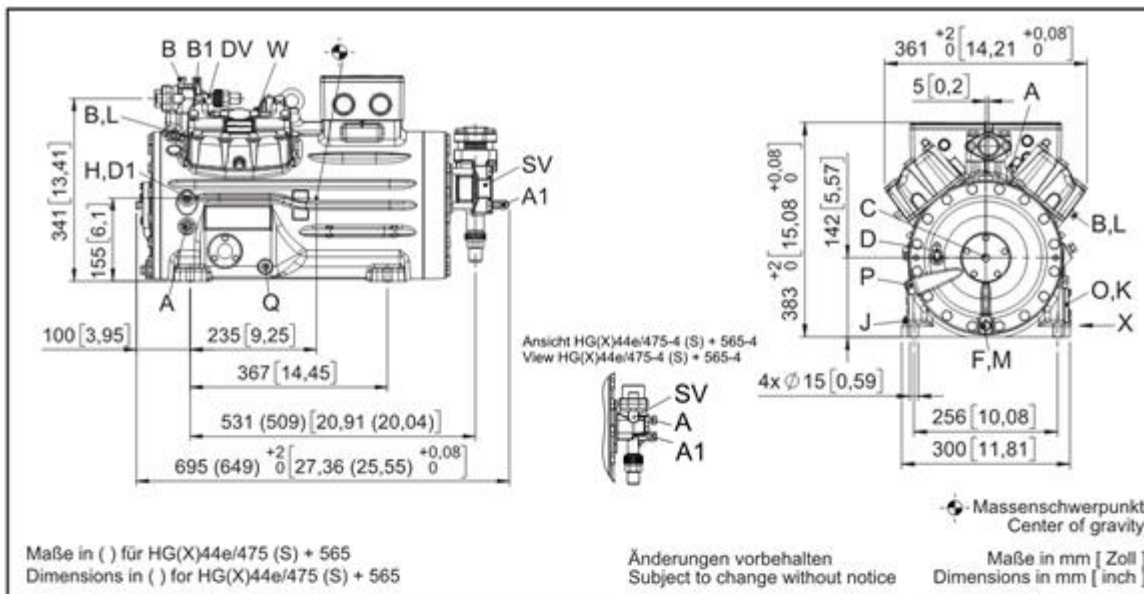
VAP 11.12.0

HGX44e/770-4 S

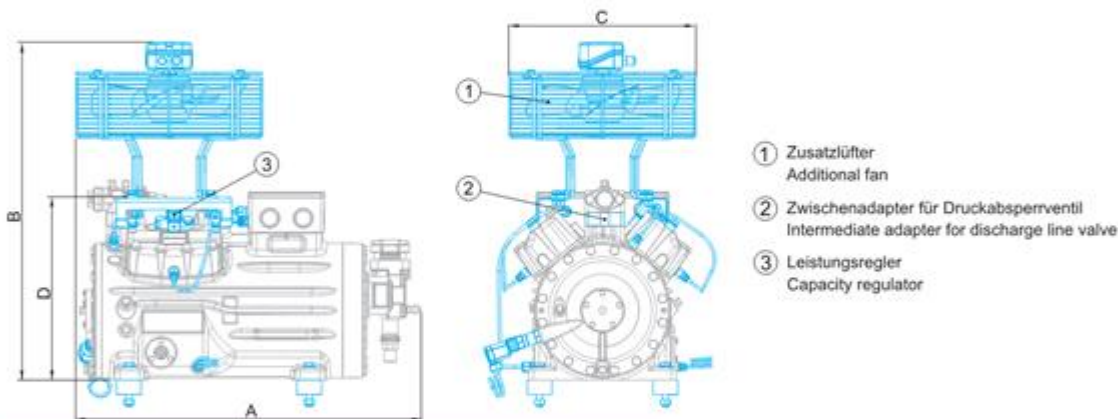
Engine: 380-420V Y/YY -3- 50Hz PW

Refrigerant: R404A, R507

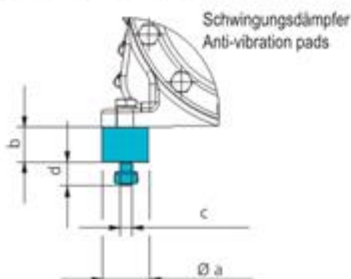
Subject:



Maße Zubehör / Dimensions Accessories



Typ / Type	A mm / inch	B mm / inch	C mm / inch	D mm / inch
HG12P	ca. 460 / 18	ca. 500 / 20	ca. 315 / 12	–
HG22e	ca. 525 / 21	ca. 610 / 24	ca. 380 / 15	–
HG34e	ca. 580 / 23	ca. 640 / 25	ca. 380 / 15	–
HG44e	ca. 710 / 28	ca. 685 / 27	ca. 380 / 15	368 / 14
HG56e	–	ca. 710 / 28	ca. 380 / 15	–
HG66e	ca. 820 / 32	ca. 800 / 31	ca. 380 / 15	–



Typ / Type	Øa mm / inch	b mm / inch	c mm / inch	d mm / inch
HG12P	30 / 1.2	30 / 1.2	M8	20 / 0.8
HG22e	40 / 1.6	30 / 1.2	M10	20 / 0.8
HG34e	40 / 1.6	30 / 1.2	M10	20 / 0.8
HG44e	50 / 2.0	30 / 1.2	M12	25 / 1.0
HG56e	50 / 2.0	30 / 1.2	M12	25 / 1.0
HG66e	50 / 2.0	30 / 1.2	M12	25 / 1.0
HG88e	70 / 2.8	45 / 1.8	M12	37 / 1.5

Subject to change without notice

To: venolia.stoffels@metraclark.co.za

From:

02.08.2022
Page 9 of 11

VAP 11.12.0

HGX44e/770-4 S

Engine: 380-420V Y/YY -3- 50Hz PW

Refrigerant: R404A, R507

Subject:

SV	Suction line valve, tube ø ¹⁾	42 mm - 1 5/8 "
DV	Discharge line valve, tube ø ¹⁾	28 mm - 1 1/8 "
A	Connection suction side, not lockable	1/8 " NPTF
A1	Connection suction side, lockable	7/16 " UNF
B	Connection discharge side, not lockable	1/8 " NPTF
B1	Connection discharge side, lockable	7/16 " UNF
C	Connection oil pressure safety switch OIL	1/8 " NPTF
D	Connection oil pressure safety switch LP	7/16 " UNF
D1	Connection oil return from oil separator	1/4 " NPTF
F	Oil drain	M 12 x 1.5
H	Oil charge plug	1/4 " NPTF
J	Connection oil sump heater	3/8 " NPTF
K	Sight glass	3 x M 6
L	Connection thermal protection thermostat	1/8 " NPTF
M	Oil strainer	M 12 x 1.5
O	Connection oil level regulator	3 x M 6
P	Connection oil differential pressure sensor	M 20 x 1.5
Q	Connection oil temperature sensor	1/8" NPTF
W	Connection for refrigerant injection	1/8" NPTF

1) Brazing connection

Subject to change without notice

To: venolia.stoffels@metraclark.co.za

From:

02.08.2022
Page 10 of 11

VAP 11.12.0

HGX44e/770-4 S

Engine: 380-420V Y/YY -3- 50Hz PW

Refrigerant: R404A, R507

Subject:

BOCK colour the world
of tomorrow

Product photo



Subject to change without notice

To: venolia.stoffels@metraclark.co.za

From:

02.08.2022
Page 11 of 11

VAP 11.12.0