



# TOTALINE®

The new "Totaline Monobloc" is a complete easy-to-install, plug-in type refrigeration system.

Both medium and low temperature units are available

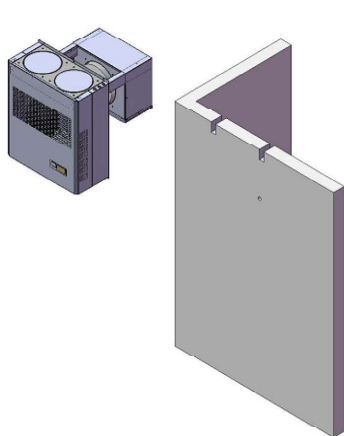
Designed to be widely used in small cold and freezer room applications.

Monobloc units feature branded products like: Tecumseh, Copeland, Danfoss and Dixell

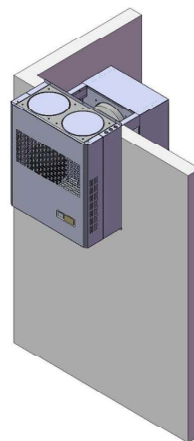


## Features

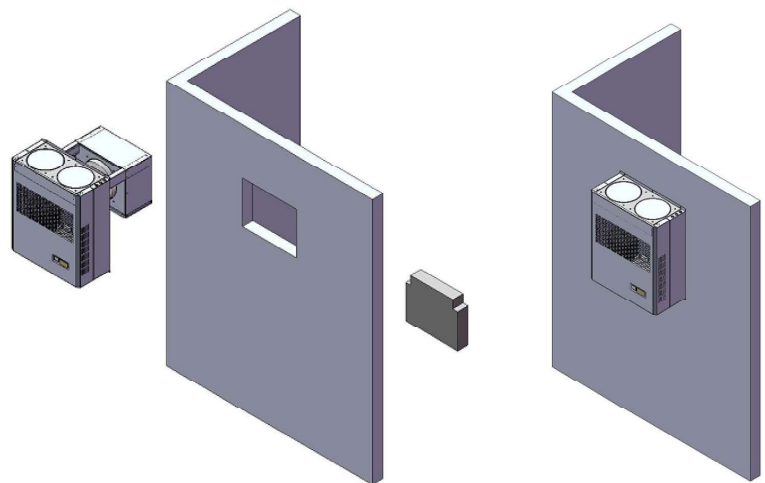
- Models available :
  - Medium temperature: 1.5HP, 2HP and 3Hp
  - Low temperature: 1.5HP and 2HP
- Single phase 220V-240V-1-50Hz
- Pre-charged with R404a refrigerant
- Dixell temperature and efficient defrost control
- Plug-in type for easy electrical installation
- Optimized designed to save installation and commissioning time
- "Straddle-wall" or "Through-wall" installation
- CE Certified by TUV, comply with European safety standards



**Straddle-wall**



**Through-wall**



# METRACLARK

Refrigeration & Air-Conditioning Wholesale



**Specifications**

| Stock Code | Description    | Compressor Model | Application | Refrigerant | Refrigerant Charge: (g) | Reference: HP | Nominal Capacity: (W)                | Voltage / Frequency | Max operating Current: (A) |
|------------|----------------|------------------|-------------|-------------|-------------------------|---------------|--------------------------------------|---------------------|----------------------------|
| TOT6000    | LY150DGL - GO2 | CAJ2464Z         | LBP         | R507/R404a  | 1000                    | 1.5           | 1800 @ -18°C Room Temp, 30°C Ambient | 230-240V/1/50HZ     | 12                         |

| Start Current: (A) | Condenser Air Volume: | Condenser Fan Power: (W) | Condenser Fan Diameter: (mm) | Noise Level @1m: (db (A)) | Dimensions: A, B, C, D, L (mm) | Dimensions for hole X, Y (mm) | Net Weight: (kg) | Room Temperature Design: °C | Room Cool Volume: (M³) |
|--------------------|-----------------------|--------------------------|------------------------------|---------------------------|--------------------------------|-------------------------------|------------------|-----------------------------|------------------------|
| 40                 | 1200                  | 100                      | 2*250                        | 50                        | 665, 315, 800, 500, 805        | 373, 405                      | 75               | -18                         | 12 -Holding            |

| Capacity/Input Power | Ambient Temp. °C | Cold Room Temp. |      |      |      |
|----------------------|------------------|-----------------|------|------|------|
|                      |                  | -25             | -20  | -15  | -10  |
| Capacity             | 20               | 1675            | 2064 | 2463 | 2911 |
| Input Power          |                  | 1169            | 1277 | 1392 | 1519 |
| Capacity             | 30               | 1430            | 1771 | 2126 | 2507 |
| Input Power          |                  | 1224            | 1358 | 1502 | 1660 |
| Capacity             | 40               | 1180            | 1467 | 1782 | 2124 |
| Input Power          |                  | 1244            | 1405 | 1575 | 1762 |

