

HGX34e/215-4 S

Engine: 220-240V Δ / 380-420V Y -3- 50Hz

Refrigerant: R404A, R507

Subject:

Performance data

Application: Refrigeration & AC

Refrigerant	R404A, R507	Compressor refrigeration capacity	8.91 kW
Reference temperature	Dew point	Evaporator refrigeration capacity	8.91 kW
Power supply	50 Hz, 400 V	Power consumption	4.08 kW
Supply frequency	50 Hz	Current draw (400 V)	8.08 A
Evaporating temperature	-10.0 °C	Coefficient of performance (COP/EER)	2.19
<i>Evaporating pressure (abs.)</i>	<i>4.34 bar</i>	Condensing capacity	13.00 kW
Condensing temperature	45.0 °C	Mass flow	0.074 kg/s
<i>Condensing pressure (abs.)</i>	<i>20.47 bar</i>	Discharge end temperature	93.5 °C ¹⁾
Suction gas temperature	20 °C		
Subcooling (outside cond.)	0 K		
Usable superheat	100%		

Certifications



ASERCOM certified performance data

The performance data of compressors bearing this label has been certified to the strict requirements of ASERCOM.

ASERCOM is the Association of European Refrigeration Compressors and Controls Manufacturers. Information about the Association and the constantly updated overview of certified Bock compressors can be found at www.asercom.org.

This certification is based on EN 12900. This signifies: 20 °C suction gas temperature without liquid subcooling at 50 Hz power supply frequency.

1) The stated value of the discharge end temperature is a mere calculated value. Additional cooling and heat dissipation are not considered. Deviations (particularly in deep freezing applications) from the real measured discharge temperature during operation are possible.

Subject to change without notice

To: venolia.stoffels@metraclark.co.za

From:

02.08.2022
Page 1 of 11

VAP 11.12.0

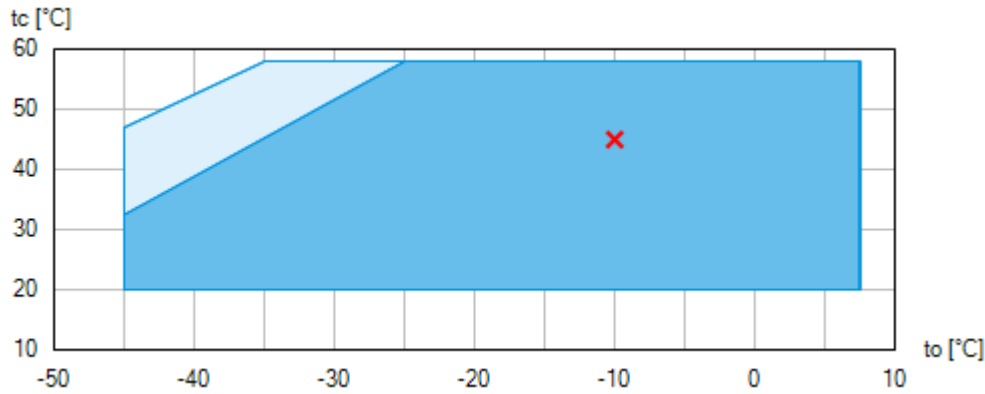
HGX34e/215-4 S



Engine: 220-240V Δ / 380-420V Y -3- 50Hz

Refrigerant: R404A, R507

Subject:

Operating limits



-  Unlimited application range
-  Supplementary cooling or reduced suction gas temperature ($\Delta t_{oh} < 20K$)

Compressor operation is possible within the limits shown on the diagrams of application. Please note the coloured areas. Compressor application limits should not be chosen for design purposes or continuous operation. Axis values refer to dew point (saturated vapour line).

Subject to change without notice

To: venolia.stoffels@metraclark.co.za

From:

02.08.2022
Page 2 of 11

VAP 11.12.0

HGX34e/215-4 S

Engine: 220-240V Δ / 380-420V Y -3- 50Hz

Refrigerant: R404A, R507

Subject:

Technical data

Number of cylinders / Bore / Stroke	4 / 41,5 mm / 40 mm
Displacement 50/60 Hz (1450/1740 1/min)	18,80 / 22,60 m ³ /h
Voltage ¹⁾	220-240V Δ / 380-420V Y -3- 50Hz
	265-290V Δ / 440-480V Y -3- 60Hz
Max. working current ²⁾	18.3 / 10.5 A
Max. power consumption ²⁾	6.0 kW
Starting current (rotor blocked) ²⁾	132.0 / 76.0 A
Motor protection	INT69 G
Protection terminal box	IP 66
Weight	97 kg
Frequency range ³⁾	25 - 70 Hz
Max. permissible overpressure (g) (LP/HP) ⁴⁾	19 / 28 bar
Connection suction line SV	28 mm - 1 1/8 "
Connection discharge line DV	22 mm - 7/8 "
Lubrication	Oil pump
Oil type R134a, R404A, R407A/C/F, R448A, R449A, R450A, R513A	BOCKlub E55
Oil type R22	BOCKlub A46
Oil charge	1,3 Ltr.
Dimensions Length / Width / Height	535 / 282 / 318 mm
Sound power level L _{WA} ⁵⁾	69 db(A) @ -35/+40 °C
	67 db(A) @ -10/+45 °C
	66 db(A) @ +5/+50 °C
Sound pressure level L _{pA} ⁵⁾	57 db(A) @ -35/+40 °C
	54 db(A) @ -10/+45 °C
	54 db(A) @ +5/+50 °C

1) Tolerance (± 10%) relates to the mean value of the voltage range. Other voltages and current types on request

All data are based on voltage rms values

Subject to change without notice

To: venolia.stoffels@metraclark.co.za

From:

02.08.2022
Page 3 of 11

VAP 11.12.0

HGX34e/215-4 S

Engine: 220-240V Δ / 380-420V Y -3- 50Hz

Refrigerant: R404A, R507

Subject:

- 2) - The stated value for the max. power consumption is valid for the adjusted power supply.
 - Starting current (rotor blocked):
 - Part winding (PW) motors: Winding 1 / Winding 1+2
 - Delta/Star (Δ /Y) motors: Δ / Y
 - Take account of the max. operating current / max. power consumption for designing motor contractors, feed lines, fuses and motor protection switches. Motor contractors: Consumption category AC3.
- 3) The maximum permissible working current of the compressor (I_{max}) must not be exceeded. Take account of the guidelines for use of frequency inverter (see compressor assembly instruction or selection software).
- 4) LP = Low pressure
HP = High pressure
- 5) Declared dual-number noise emission values are in accordance with ISO 4871. The corresponding uncertainty to the sound power level is $K_{WA} = 2,5$ dB and to the sound pressure level is $K_{pA} = 2,5$ dB. The values are valid for 50 Hz with the refrigerant R404A at the standard rating points according to EN 12900.
 - A-weighted sound power level L_{WA} (re 1 pW), in decibel. To determine the values, measurement methods of the ISO 3740 standard with accuracy class 2 or higher were used .
 - A-weighted sound pressure level L_{pA} (re 20 μ Pa), in decibel. The values are calculated from the sound power level in accordance with ISO 11203: $L_{pA} = L_{WA} - Q_2$ at a distance of $d = 1$ m to the reference box.

Subject to change without notice

To: venolia.stoffels@metraclark.co.za

From:

02.08.2022
Page 4 of 11

VAP 11.12.0

HGX34e/215-4 S

Engine: 220-240V Δ / 380-420V Y -3- 50Hz

Refrigerant: R404A, R507

Subject:

Performance data table

Application: Refrigeration & AC

Reference temperature: Dew point

Supply frequency: 50 Hz

Voltage: 400 V

Suction gas temperature: 20 °C

Subcooling (outside cond.): 0 K

tc [°C]		to [°C]									
		0.0	-5.0	-10.0	-15.0	-20.0	-25.0	-30.0	-35.0	-40.0	-45.0
30.0	Q [W]	18200	15000	12200	9670	7560	5780	4280	3040	2030	1220
	P [kW]	3.84	3.74	3.57	3.35	3.07	2.75	2.41	2.04	1.67	1.31
	I [A]	7.80	7.69	7.51	7.26	6.96	6.64	6.31	5.98	5.67	5.39
35.0	Q [W]	16800	13700	11100	8790	6850	5210	3850	2720	1800	1070
	P [kW]	4.17	4.00	3.77	3.49	3.16	2.81	2.44	2.06	1.67	1.31
	I [A]	8.19	7.99	7.73	7.41	7.06	6.70	6.34	5.99	5.67	5.39
40.0	Q [W]	15300	12500	9990	7910	6130	4640	3410	2390	1570	907
	P [kW]	4.48	4.23	3.94	3.60	3.23	2.84	2.44	2.04	1.65	1.28
	I [A]	8.56	8.27	7.92	7.54	7.13	6.73	6.34	5.98	5.65	5.37
45.0	Q [W]	13800	11200	8910	7010	5410	4070	2960	2060	1340	757
	P [kW]	4.75	4.43	4.08	3.69	3.27	2.85	2.42	2.00	1.61	1.24
	I [A]	8.90	8.51	8.08	7.63	7.18	6.74	6.32	5.95	5.62	5.34
50.0	Q [W]	12200	9840	7820	6110	4680	3490	2520	1740	1110	
	P [kW]	4.99	4.61	4.19	3.74	3.29	2.83	2.37	1.94	1.54	
	I [A]	9.20	8.72	8.21	7.70	7.19	6.72	6.28	5.89	5.56	



Supplementary cooling or reduced suction gas temperature ($\Delta t_{oh} < 20K$)

to Evaporating temperature

tc Condensing temperature

Q Compressor refrigeration capacity

P Power consumption

I Current draw

Subject to change without notice

To: venolia.stoffels@metraclark.co.za

From:

02.08.2022
Page 5 of 11

VAP 11.12.0

HGX34e/215-4 S

Engine: 220-240V Δ / 380-420V Y -3- 50Hz

Refrigerant: R404A, R507

Subject:

Scope of supply

Semi-hermetic four cylinder reciprocating compressor with drive motor
Single-section compressor housing with hermetically integrated electric motor

Winding protection with PTC resistor sensors and electronic trigger unit INT69 G
115-230 V AC, 50/60 Hz, IP00

Oil pump

Possibility for connection of oil pressure safety switch MP55

Possibility of connection of oil level controllers ESK, Traxoil, AC+R or CARLY ¹⁾

Oil charge:

HG: **BOCK**lub A46

HGX: **BOCK**lub E55

Sight glass

Suction and discharge line valve

Inert gas charge

Accessories

(Digital) capacity regulator DCR14 230 V - 1 - 50/60 Hz, IP65
possible equipment see Capacity regulator 09900-DGbF

Cylinder cover prepared for digital capacity regulator

Oil sump heater
110-240 V - 1 - 50/60 Hz, 50-120 W, IP66
PTC heater self-regulating

Oil pressure safety switch MP55 230 V - 1 - 50/60 Hz, IP20 ²⁾

USB converter for INT69 G Diagnose ²⁾

Thermal protection thermostat per cylinder cover ³⁾

INT69 G Diagnose 115-230 V AC, 50/60 Hz, IP00 (INT69 G not applicable)

DP-Modbus Gateway 115-230 V AC, 50/60 Hz, IP00 including adapter cable ²⁾

Modbus-LAN Gateway 230 V AC, 50/60 Hz, IP00 ²⁾

Additional fan
230 V AC - 1 - 50 Hz, 97 W, IP44
230 V AC - 1 - 60 Hz, 128 W ²⁾

Step protection

Injection nozzle for liquid injection ²⁾

Subject to change without notice

To: venolia.stoffels@metraclark.co.za

From:

02.08.2022
Page 6 of 11

VAP 11.12.0

HGX34e/215-4 S

Engine: 220-240V Δ / 380-420V Y -3- 50Hz

Refrigerant: R404A, R507

Subject:

4 anti-vibration pads enclosed

Special voltage and/or frequency (on request)

- 1) Only with additional adapter possible
- 2) Enclosure
- 3) Mounted

Subject to change without notice

To: venolia.stoffels@metraclark.co.za

From:

02.08.2022
Page 7 of 11

VAP 11.12.0

HGX34e/215-4 S

Engine: 220-240V Δ / 380-420V Y -3- 50Hz

Refrigerant: R404A, R507

Subject:

Dimensions and connections

Subject to change without notice

To: venolia.stoffels@metraclark.co.za

From:

02.08.2022
Page 8 of 11

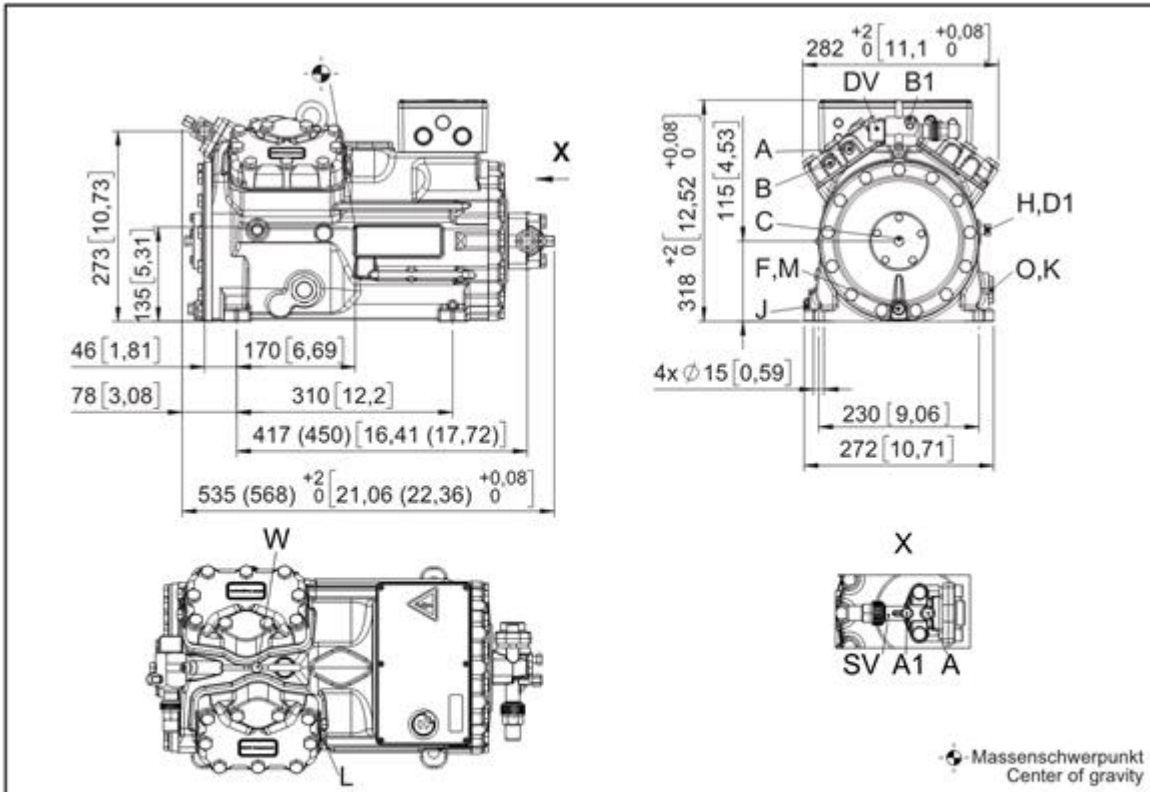
VAP 11.12.0

HGX34e/215-4 S

Engine: 220-240V Δ / 380-420V Y -3- 50Hz

Refrigerant: R404A, R507

Subject:

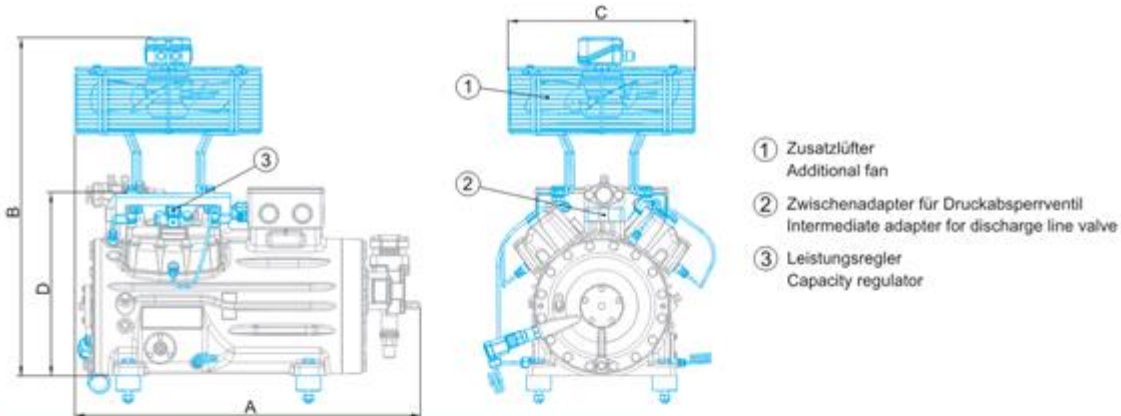


Maße in () für HGX34e/315-2 S + 380-2
Dimensions in () for HGX34e/315-2 S + 380-2

Änderungen vorbehalten
Subject to change without notice

Maße in mm [Zoll]
Dimensions in mm [inch]

Maße Zubehör / Dimensions Accessories



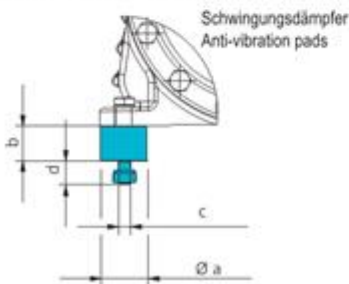
- ① Zusatzlüfter
Additional fan
- ② Zwischenadapter für Druckabsperventil
Intermediate adapter for discharge line valve
- ③ Leistungsregler
Capacity regulator

Typ / Type	A mm / inch	B mm / inch	C mm / inch	D mm / inch
HG12P	ca. 460 / 18	ca. 500 / 20	ca. 315 / 12	-
HG22e	ca. 525 / 21	ca. 610 / 24	ca. 380 / 15	-
HG34e	ca. 580 / 23	ca. 640 / 25	ca. 380 / 15	-
HG44e	ca. 710 / 28	ca. 685 / 27	ca. 380 / 15	368 / 14
HG56e	-	ca. 710 / 28	ca. 380 / 15	-
HG66e	ca. 820 / 32	ca. 800 / 31	ca. 380 / 15	-

Ansicht X: Anschlussmöglichkeit für Ötspiegelregulator
View X: Possibility of connection of oil level regulator



- Dreilochanschluss für TRAXOIL (3xM6x10)
Three-hole connection for TRAXOIL (3xM6x10)
- Dreilochanschluss für ESK, AC+R, CARLY (3xM6x10)
Three-hole connection for ESK, AC+R, CARLY (3xM6x10)



Typ / Type	Øa mm / inch	b mm / inch	c mm / inch	d mm / inch
HG12P	30 / 1.2	30 / 1.2	M8	20 / 0.8
HG22e	40 / 1.6	30 / 1.2	M10	20 / 0.8
HG34e	40 / 1.6	30 / 1.2	M10	20 / 0.8
HG44e	50 / 2.0	30 / 1.2	M12	25 / 1.0
HG56e	50 / 2.0	30 / 1.2	M12	25 / 1.0
HG66e	50 / 2.0	30 / 1.2	M12	25 / 1.0
HG88e	70 / 2.8	45 / 1.8	M12	37 / 1.5

ange without notice

HGX34e/215-4 S

Engine: 220-240V Δ / 380-420V Y -3- 50Hz

Refrigerant: R404A, R507

Subject:

SV	Suction line valve, tube ø ¹⁾	28 mm - 1 1/8 "
DV	Discharge line valve, tube ø ¹⁾	22 mm - 7/8 "
A	Connection suction side, not lockable	1/8 " NPTF
A1	Connection suction side, lockable	7/16 " UNF
B	Connection discharge side, not lockable	1/8 " NPTF
B1	Connection discharge side, lockable	7/16 " UNF
C	Connection oil pressure safety switch OIL	1/8 " NPTF
D1	Connection oil return from oil separator	1/4 " NPTF
F	Oil drain	M 12 x 1.5
H	Oil charge plug	1/4 " NPTF
J	Connection oil sump heater	3/8 " NPTF
K	Sight glass	1 1/8 " - 18 UNEF
L	Connection thermal protection thermostat	1/8 " NPTF
M	Oil strainer	M 12 x 1.5
O	Connection oil level regulator	1 1/8 " - 18 UNEF

1) Brazing connection

Subject to change without notice

To: venolia.stoffels@metraclark.co.za

From:

02.08.2022
Page 10 of 11

VAP 11.12.0

HGX34e/215-4 S

Engine: 220-240V Δ / 380-420V Y -3- 50Hz

Refrigerant: R404A, R507

Subject:

BOCK colour the world
of tomorrow

Product photo



Subject to change without notice

To: venolia.stoffels@metraclark.co.za

From:

02.08.2022
Page 11 of 11

VAP 11.12.0